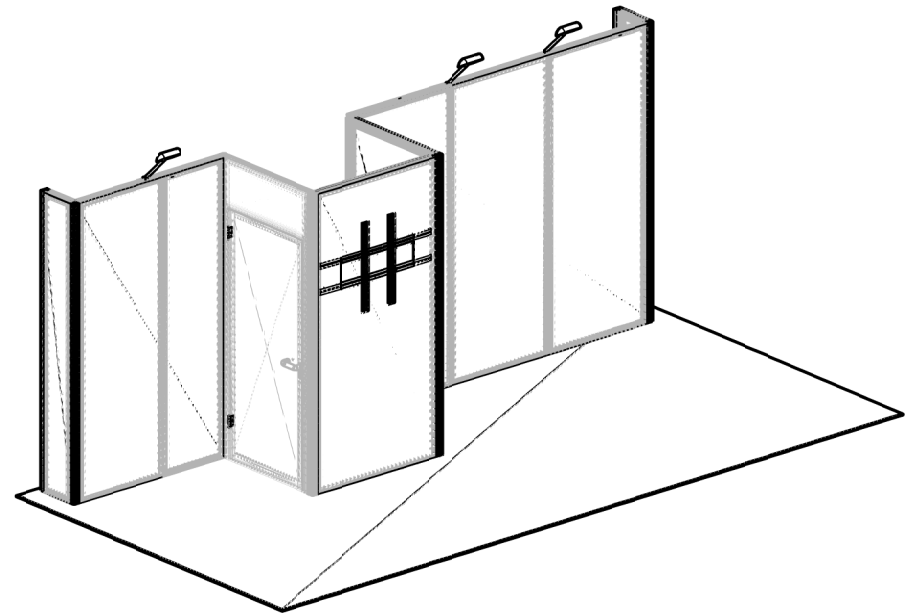
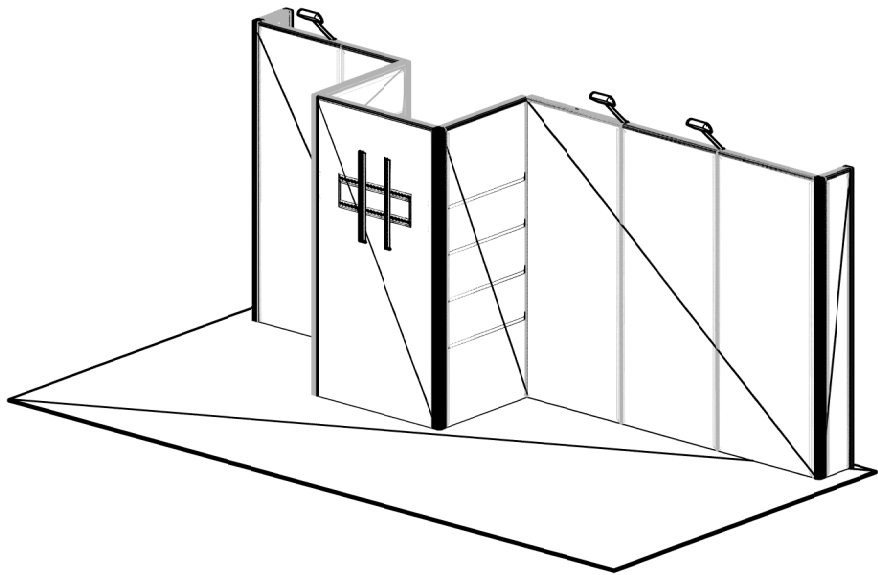
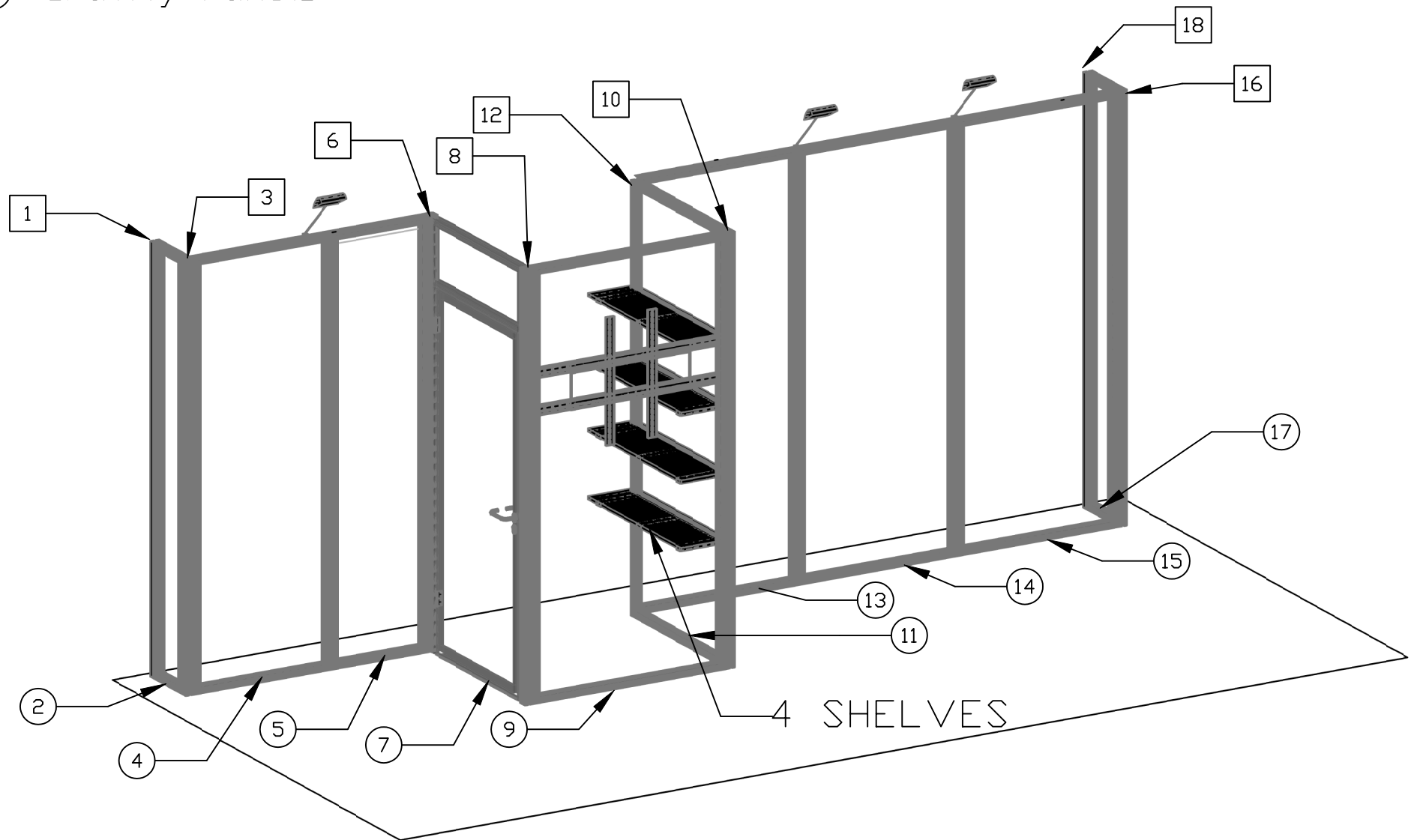


Plan View



Perspective Views

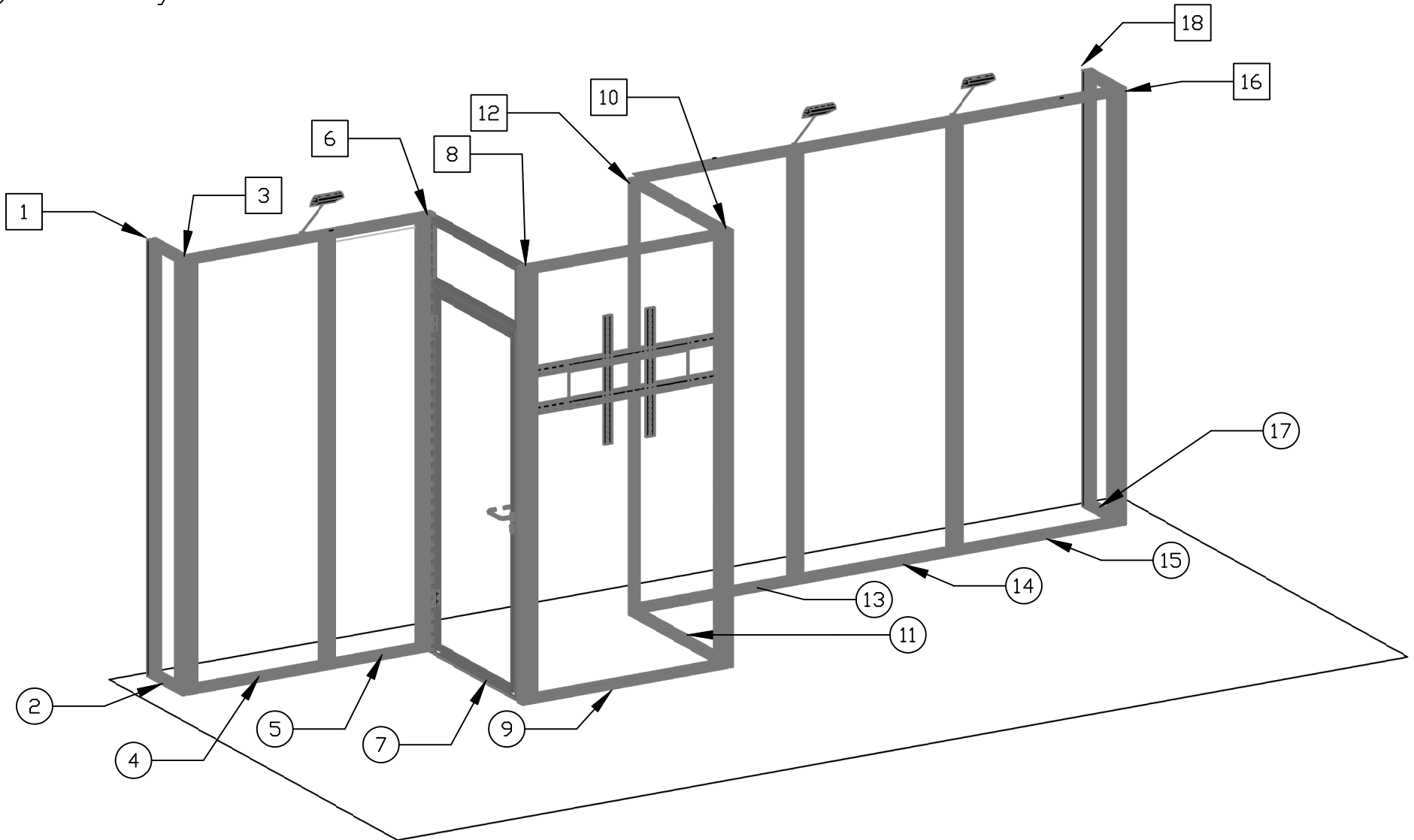
- CORNER/ENDCAPS
- Gravity Panels



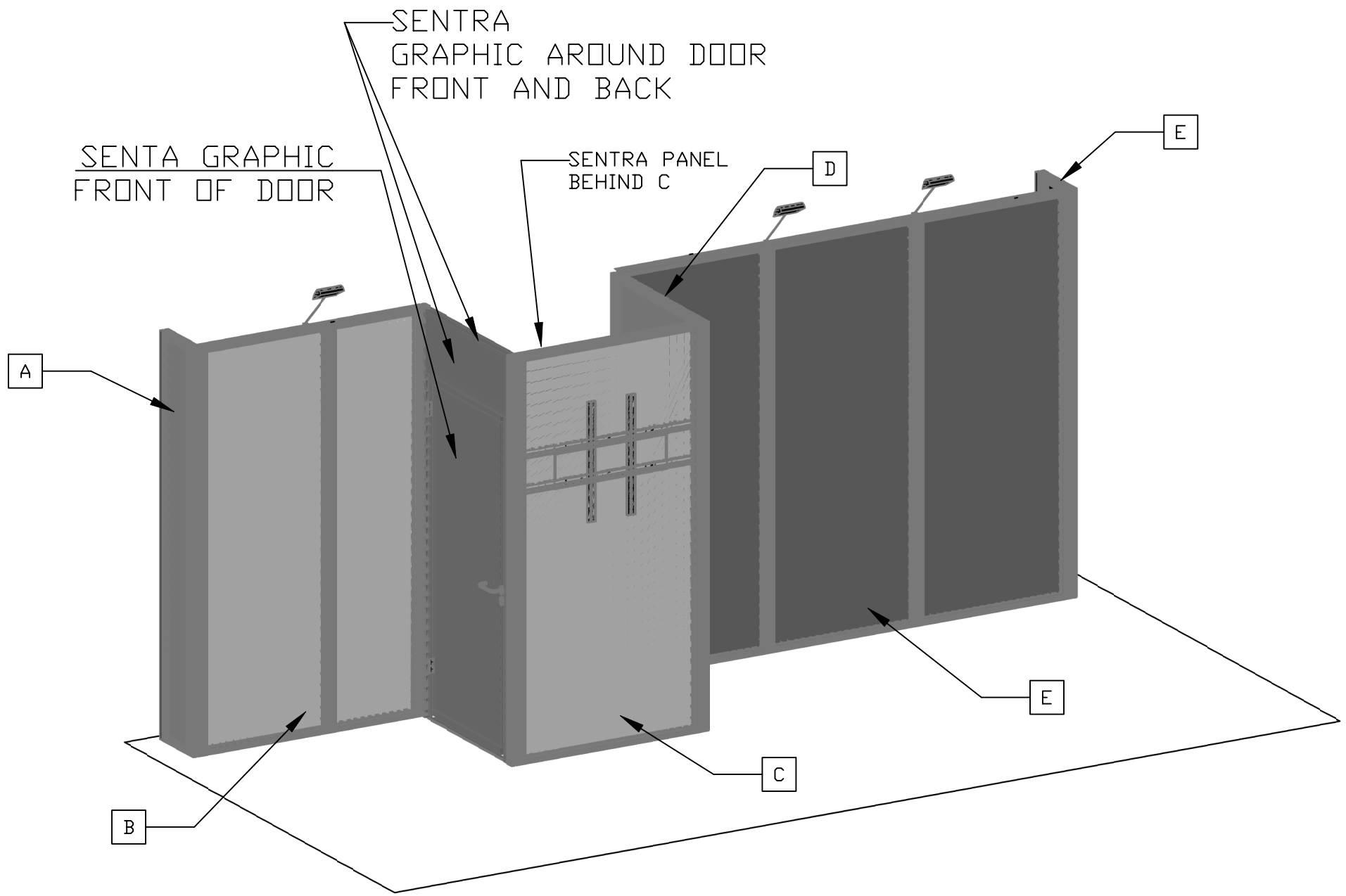
Assembly Parts

□ CORNER/ENDCAPS

○ Gravity Panels



Assembly Parts



6-FABRIC GRAPHICS